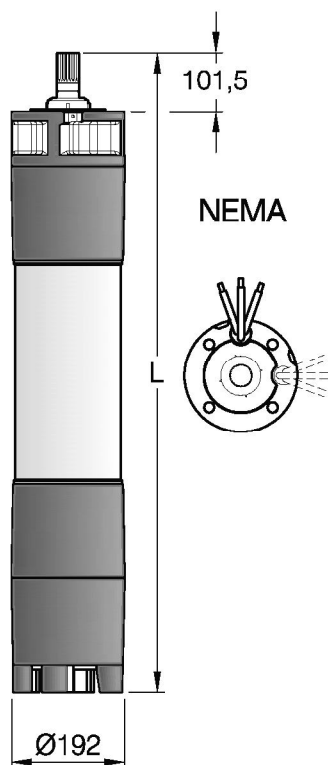


Three-phase submersible motors, asynchronous, two poles, rewindable, made up of stainless steel AISI 316 and cast iron in the standard version. Mitchell type thrust bearing. Cooling and lubrication of the thrust bearing system is granted by a mixture of glycole and water. Connection according to NEMA 8" standard. Degree of protection IP 58 (on request IP68). Operation: vertical/horizontal (a minimum thrust must be applied on the thrust bearing pads). Max operating depth: 300m. Motor protection must be granted by user. On request supports made up of AISI 316 or 904, windings in PE2+PA and mechanical seal in SiC/SiC. On request is available the 4 poles version with a power range from 15HP to 60HP



#### Description

- Three phase motors from 45 kW to 110 kW
- Water with bio-degradable compound for cooling
- Replacable Lip seal
- IP 58 rated
- 3 x single core flat cable
- Motor frame in AISI 304 SS
- Standard top bracket, cast iron
- Stator compartment resin filled
- Michell-type thrust bearing
- Star/Delta starting available
- Other Voltages are available on request
- Super el-pro motor protection recommended
- AISI 316 stainless steel version available on request



Technical Specifications	
Flange	8" NEMA
Degree of protection	IP58
Rated ambient temp.	40 °C
Cooling flow	min. 0.15 m/s
Voltage tolerance	6% / - 10%
Max starts	3/h
Max operating depth	300 m
Working voltage	220/230 V, 380/415 V, 500 V
Axial thrust	
- from 30 HP up to 150 HP	60000 N
Uphrust	12500 N
- from 2 HP up to 3 HP	3000 N
- from 4 HP up to 10 HP	6000 N

Technical Data 50Hz														
P2	Voltage	Rated	Starting	Cost Phi	Rated	Locked	Break-down	Axial	Motor	Motor	Motor	Enclosure class		Net
	V	current	current	Power Factor	speed	rotor torque	torque	Load max	Eff. 1/1 load	Eff. 3/4 load	Eff. 1/2 load	IEC 34-5	R	Weight
45kW	3 x 400V	5-96	600	0,82	2910	200	320	5000kg	86%	86%	84%	IP34	0,180 ohm	177kg
55kW	3 x 400V	114	590	0,85	2900	190	310	5000kg	86%	86%	84%	IP34	0,150 ohm	192kg
63kW	3 x 400V	132	570	0,83	2920	190	300	5000kg	87%	87%	85%	IP34	0,140 ohm	218kg
75kW	3 x 400V	152	580	0,86	2910	180	290	5000kg	87%	87%	86%	IP34	0,130 ohm	237kg
92kW	3 x 400V	186	590	0,86	2890	200	300	5000kg	87%	88%	87%	IP34	0,090 ohm	283kg
110kW	3 x 400V	224	580	0,87	2890	190	300	5000kg	87%	87%	86%	IP34	0,080 ohm	333kg