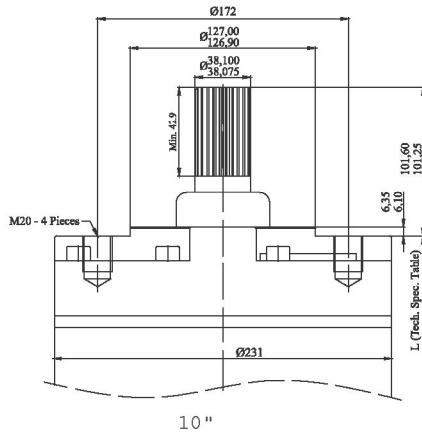


Three-phase submersible motors, asynchronous, two pole, rewindable, made up of stainless steel AISI 316 and cast iron in the standard version. Mitchell type thrust bearing. Cooling and lubrication of the thrust bearing system is generated by a mixture of glycole and water. Connection according to NEMA 8" standard. Degree of protection IP 58 (on request IP68). Operation: vertical/horizontal (a minimum thrust must be applied on the thrust bearing pads). Max operating depth: 300m.



#### Description

- Three phase motor from 132kW to 190kW
- Water with biodegradable compound for cooling
- Replacable Lip Seal
- IP 58 rated
- 3 x single core round cable
- Motor frame in AISI 304 SS
- Standard top bracket, cast iron
- Michell-type thrust bearing
- Star/Delta starting available
- Other voltages are available on request
- AISI 316 stainless steel version available on request
- Super el-pro's motor protection recommended



Technical Specifications	
Flange	8" NEMA
Degree of protection	IP58
Rated ambient temp.	40 °C
Cooling flow	min. 0.15 m/s
Voltage tolerance	6% / - 10%
Max starts	3/h
Max operating depth	300 m
Working voltage	220/230 V, 380/415 V, 500 V
Axial thrust	
- from 30 HP up to 150 HP	60000 N
Upthrust	12500 N
- from 2 HP up to 3 HP	3000 N
- from 4 HP up to 10 HP	6000 N

Technical Data 50Hz														
P2	Voltage	Rated	Starting	Cost Phi	Rated	Locked	Break-down	Axial	Motor	Motor	Motor	Enclosure class		Net
	V	current	current	Power Factor	speed	rotor torque	torque	Load max	Eff. 1/1 load	Eff. 3/4 load	Eff. 1/2 load	IEC 34-5	R	Weight
132kW	3 x 400V	270	570	0,84	2910	180	290	5000kg	88%	88%	85%	IP34	0,045 ohm	435kg
147kW	3 x 400V	315	620	0,81	2920	210	320	5000kg	87%	87%	84%	IP34	0,040 ohm	500kg
170kW	3 x 400V	365	600	0,81	2920	200	310	5000kg	87%	86%	84%	IP34	0,037 ohm	540kg
190kW	3 x 400V	425	590	0,79	2930	210	320	5000kg	87%	86%	83%	IP34	0,033 ohm	580kg